

Material Features :

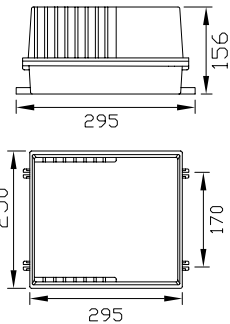
- High-pressure die-casting aluminum, treated with anti corrosion electrostatic powder spraying
- High temperature-proof silicon gasket to ensure IP65

Applicable places :

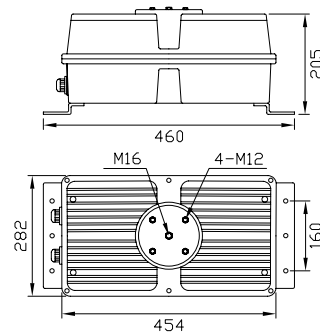
- External C.G Boxes usually used along flood light for various applications for 1000Watts & above.

IP65 Class I

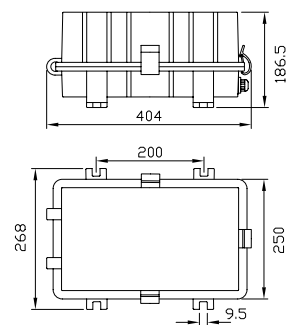
ELDK7



ELDK6 I



ELDK6 II



Model No	Power	Material	Overall Dimension	Fixing Holes
ELDK7	1000	Die-cast Aluminum	295X250X156	275 X 170
ELDK6 I	2000 / 2X400	Die-cast Aluminum	460X282X205	454 X 160
ELDK6 II	2000 / 2X400	Die-cast Aluminum	404X268X186.5	200 X 250